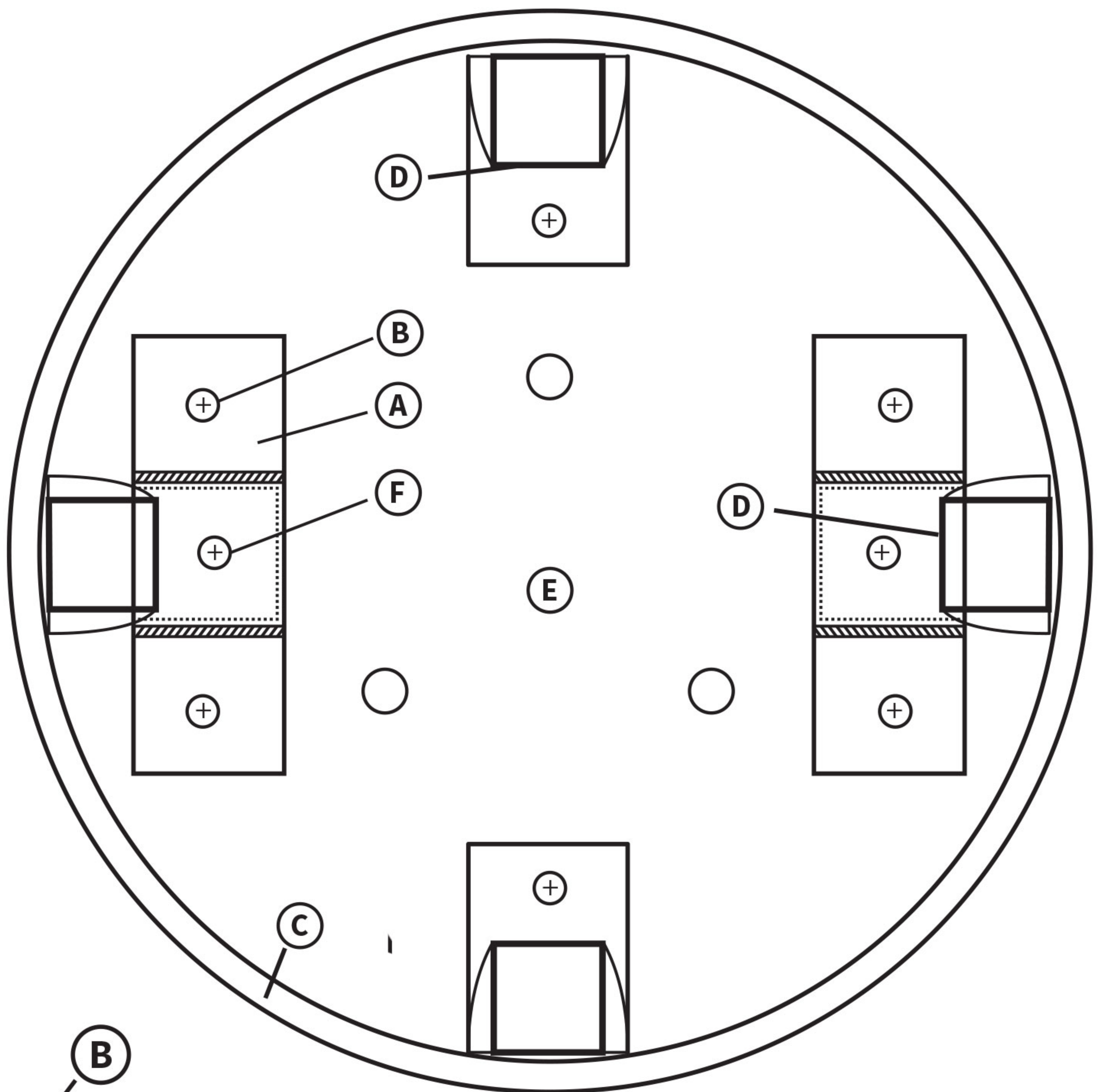


751 & 752 ECONO STOOL ANCHOR CLIP INSTALL

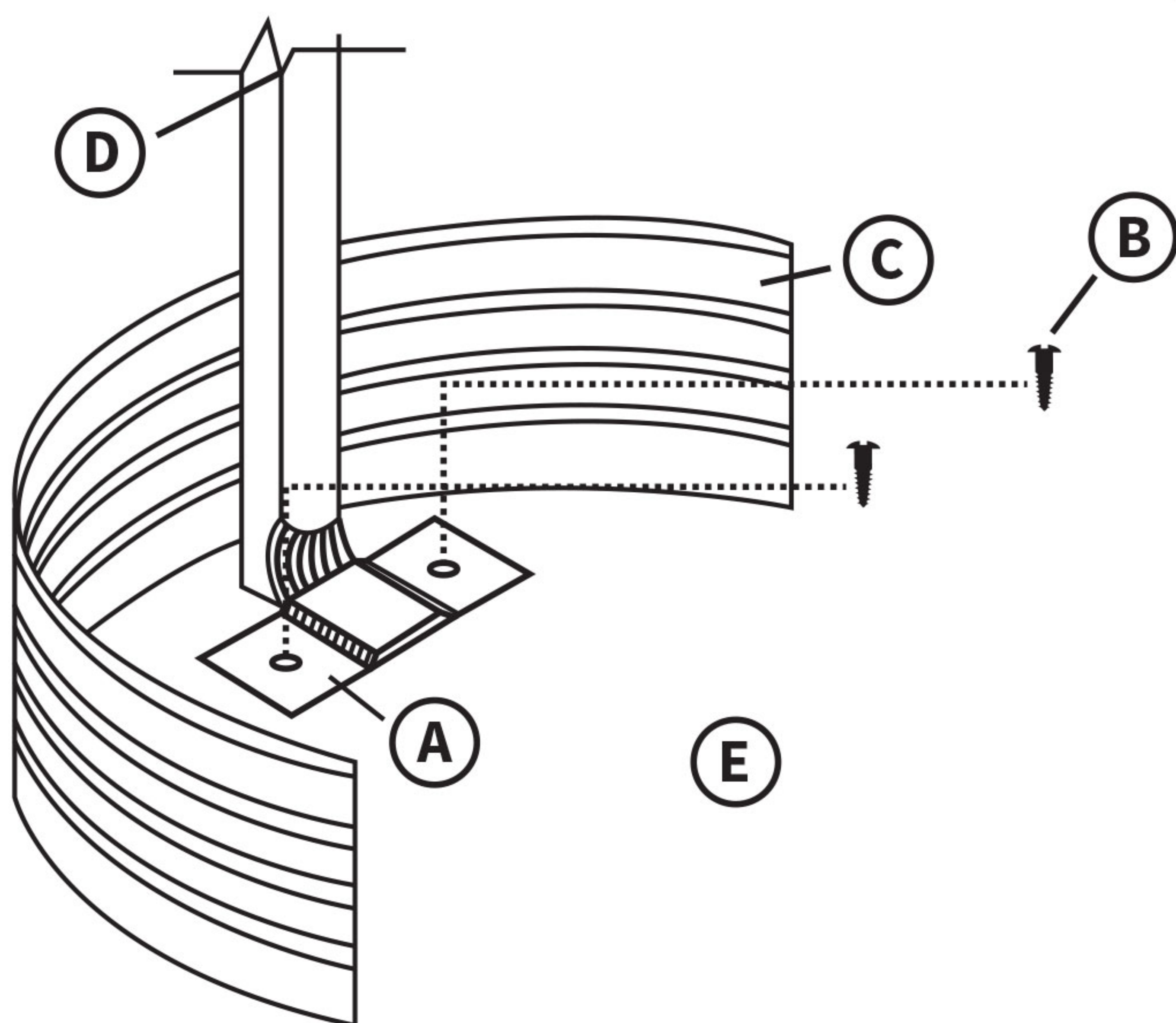
PART LEGEND	
A	Anchor Clip
B	Pan Head Screw (2) per clip
C	Metal Seat Ring
D	Stool leg (4)
E	Underside of seat
F	Existing stool leg screw To remain under anchor clip

Note: Screws must anchor to clean, undisturbed wood.



Underside of stool head

**Not to scale*



Isometric View

**Not to scale*